

Order data/订货信息

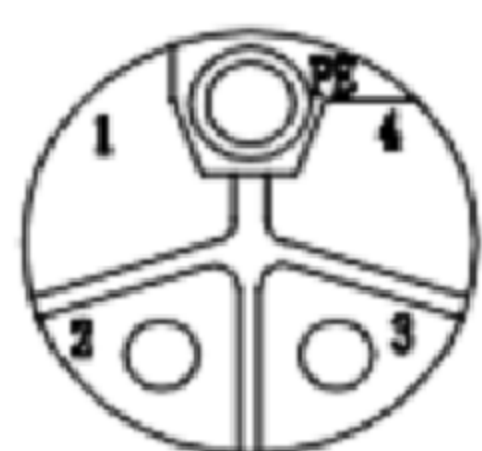
Contacts/芯数	Coding	Part number/料号	Qty	Contacts/芯数	Coding	Part number/料号	Qty
03Pin	L-code	M12L03-07-117	1000pcs				
04Pin	L-code	M12L04-07-117	1000pcs				
05Pin	L-code	M12L05-07-117	1000pcs				

Specifications/技术参数

Pin numbers/芯数	03Pin	04Pin	05Pin
Rated voltage/额定电压	50V/63V		
Rated current/额定电流	12A		
Standards/regulations/标准	IEC 61076-2-101		
Termination接线方式	Solder/焊线式		
Connector locking system/锁紧方式	Screw/螺锁		
Degree of protection/防护等级	IP67/IP68		
Wire gauge (mm ²)/线规 (mm ²)	0.14mm ² ~0.75mm ²		
Wire gauge (AWG)/线号 (AWG)	26AWG~18AWG		
Mechanical operation/插拔次数	100 mating cycles Min		
Ambient temperature (operation)/工作温度	-25℃~+85℃		
Contact resistance/接触电阻	≤5mΩ		
Insulation resistance/绝缘电阻	≥1000MΩ		
Connector body material/胶芯材料	PA66		
Pin material/端子材料	Brass with gold plated		
Screw material/螺丝材料	Brass with nickel plated		
Gasket material/胶圈材料	Fluorine ring/氟胶圈		

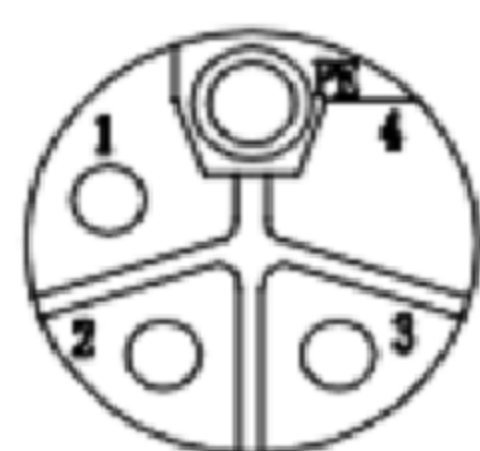
Pin assignment front view/针位分布前视图

3pin



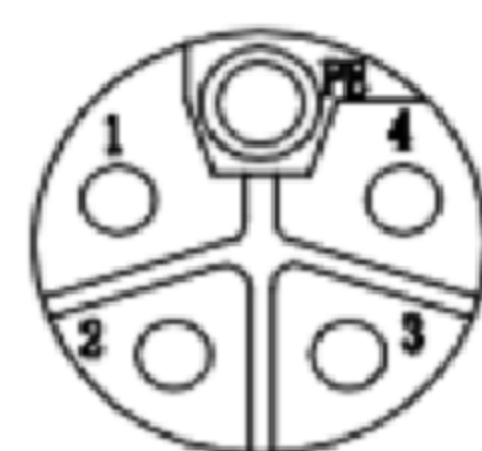
L-code

4pin



L-code

5pin

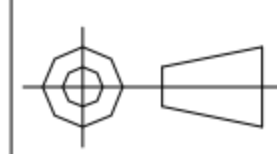


L-code

東莞市高迪電子有限公司
DONG GUAN GAO DI ELECTRONICS CO., LTD

TOLERANCE UNLESS OTHERWISE STATED:
Up to 5 ±0.2
Above 5 ~ 15 ±0.3
Above 15 ~ 30 ±0.4
Above 30 ~ 50 ±0.5
Angle ±0.3

3RD. ANGEL'S



UNITS

MM

DRAWN BY:

DATE

Jack Lu

12/13/19

MATL

TITLE

CONNECTOR

CHECKED BY:

DATE

Jacky Chen

12/13/19

FINISH

MODLE

M12XXX-07-11 7

APPROVED BY:

DATE

Tony Kao

12/13/19

SHEET NO.

1 of 1

PART NO.

SIZE

A4

VER

R1

ITEM NO.	DESCRIPTION	DRAWN	DATE